

# ART TEMPLATE

PO#

Item # **DS-39 FIREFLY**

Item color:

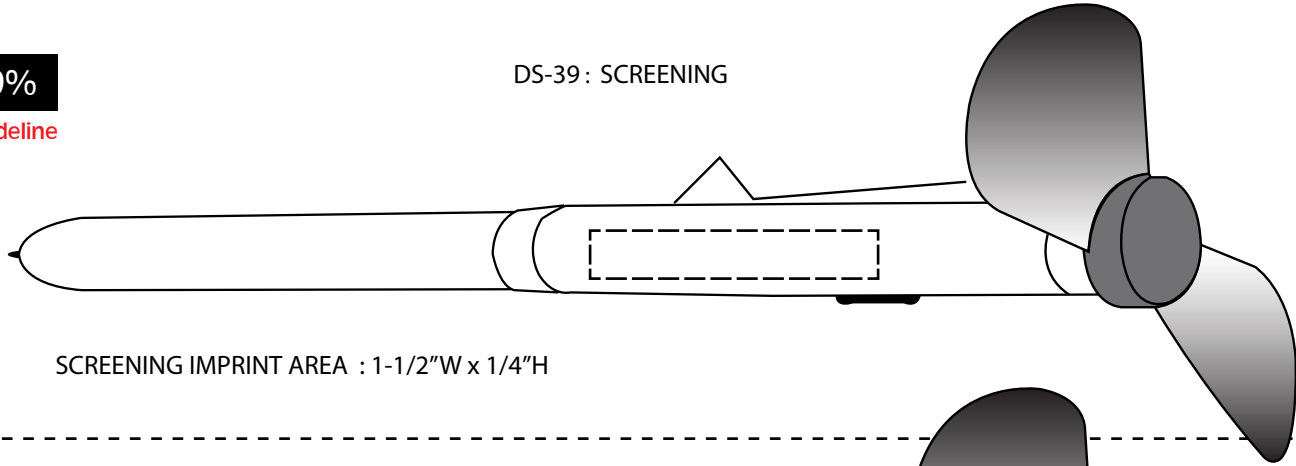
quantity:

## LAYOUT

LAYOUT RATIO: **100%**

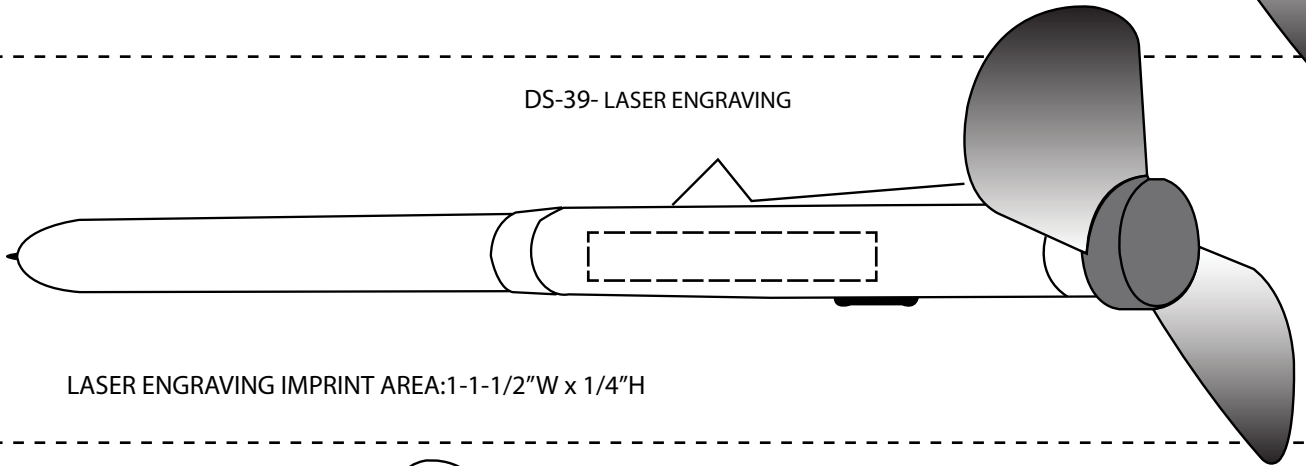
Dotted Imprint area Guideline  
Will Not Print

DS-39: SCREENING



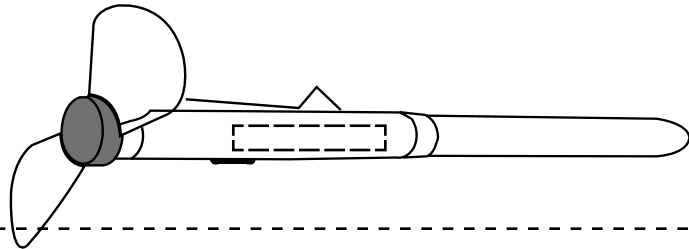
SCREENING IMPRINT AREA : 1-1/2"W x 1/4"H

DS-39- LASER ENGRAVING



LASER ENGRAVING IMPRINT AREA: 1-1-1/2"W x 1/4"H

## 2ND LOCATION



## ARTWORK

ACTUAL LOGO SIZE: Approx.

2ND LOGO SIZE: Approx.

Single Location

Multiple Locations

Imprint method:

Laser Engraving

Screening in \_\_\_\_\_

VIBRA PRINT

ARTWORK RATIO: **250%**

Deboss

Hot Stamp in

Embroidery

Heat Transfer

NOTE: LAYOUT is for illustrative purposes only, please refer to imprint information on last section of the page for logo dimensions and imprint info when approving this proof. Image of item on layout may not be actual size. Final product may vary from specs and color on this template.